

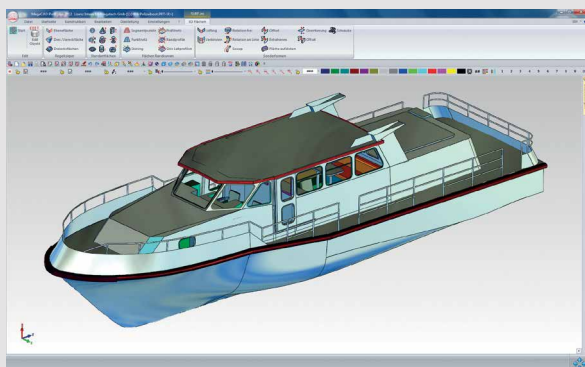


MegaCAD 3D

The future of CAD modeling.

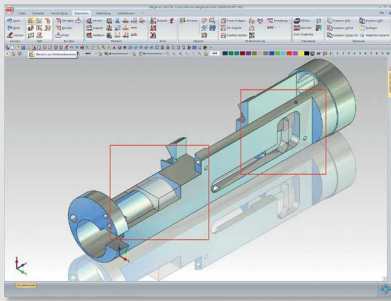
MegaCAD 3D is the pioneering solution for designers and SMEs who want a full 2D program for workshop drawings combined with innovative 3D technology. Impressively powerful yet easy to operate, this design software offers an outstanding price-performance ratio.

MegaCAD 3D combines the benefits of parametric history-based modeling with the user-friendliness of the direct, history-free approach. You decide whether you want direct, feature-based 3D modeling or parametric 2D sketching, and have the flexibility to respond quickly to a wide range of different requirements. Switching from 2D to 3D display and back is very easy.



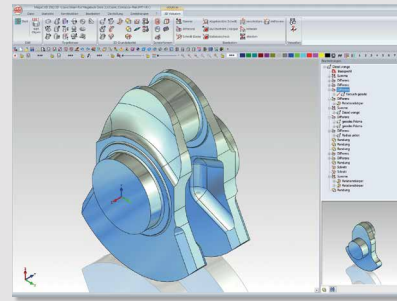
The benefits at a glance:

- ▷ 3D modeler and fully functional 2D drawing board in one
- ▷ No need to abandon familiar working methods
- ▷ Intuitive operation for convenient designing
- ▷ Professional results with accurate 3D models
- ▷ Direct conversion from 2D views to solid objects
- ▷ Move elements with drag and drop and align them automatically with objects
- ▷ Smooth integration in existing process chains as the product is supplied with many 3D interfaces



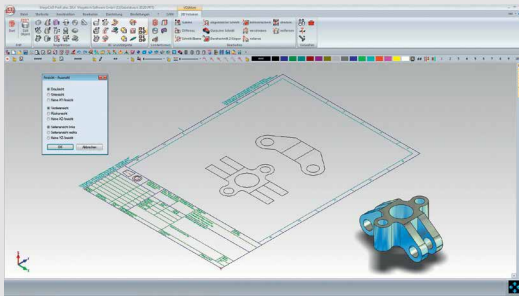
Designing in three dimensions

- ▷ Direct generation of standard mathematical objects (cuboids, spheres etc.)
- ▷ Use existing 2D drawings as a basis for 3D design
- ▷ Get a realistic impression of the finished product early on at the draft stage
- ▷ Working on a 3D model helps to avoid errors



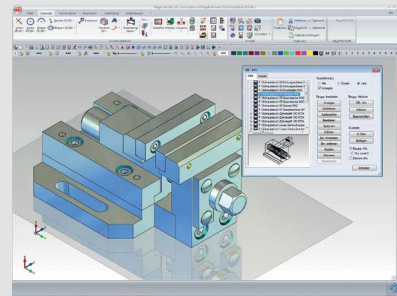
Power and user-friendliness in harmony

- ▷ Change the properties and dimensions of existing drawing elements with a mouse click
- ▷ Drag and drop: move elements and align them automatically with objects on the screen
- ▷ Quick Edit: use the info cursor field to make quick changes with no need to display a menu
- ▷ Menu always offers the right functions at the right time



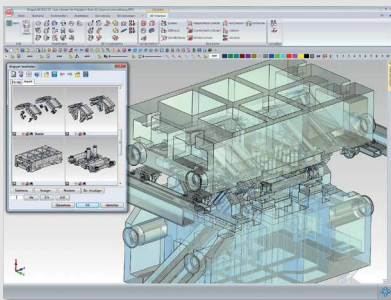
Seamless working in 2D and 3D mode

- ▷ Retains all MegaCAD 2D functions
- ▷ Functional combination of 3D model and 2D drawing
- ▷ 2D work sheets have any number of associative views and sections
- ▷ Views can be detailed for accurate assembly drawings



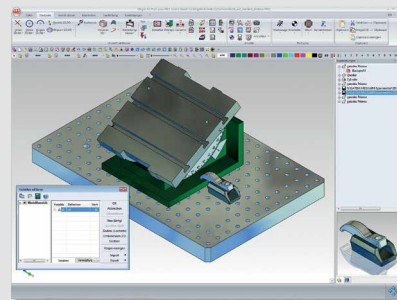
Three-dimensional representation

- ▷ Realistic, photo-quality displays with selective transparency, mirroring and light refraction
- ▷ Material assignment to an object or separately for each surface
- ▷ Ray tracing
- ▷ OpenGL display with edge support helps orientation during design



Follow-on composite tools

- ▷ Convenient layer management system supports on-screen work on large assemblies with more than 10,000 components



Tilting table

- ▷ Different statuses (here the angle) stored in one mode with links and variable tables

We look forward to your call:

Megatech Software GmbH
Große Elbstr. 43
D-22767 Hamburg
Tel. +49 (0)40 507973-0
Fax +49 (0)40 507973-20
hamburg@megatech.de

Megatech Software GmbH
Kaistr. 18
D-40221 Düsseldorf
Tel. +49 (0)211 220516-0
Fax +49 (0)211 220516-20
duesseldorf@megatech.de

Megatech Software GmbH
Kantstr. 112-114
D-10627 Berlin
Tel. +49 (0)30 315958-0
Fax +49 (0)30 3132411
berlin@megatech.de

4CAM GmbH
Hauptstr. 18
D-86756 Reimlingen
Tel. +49 (0)9081 805067-0
Fax +49 (0)9081 805067-67
info@4cam.de

www.megacad.de

MegaCAD-Zentrum Kretzler
Siechenöschle 7
D-73312 Geislingen
Tel. +49 (0)7331 9537-0
Fax +49 (0)7331 9537-11
kretzler@kretzler.de